

# Vehicle Towing Guide

**Towing System Guide & Instructions**



**budgettruck.com • 1-800-GO-BUDGET**

**Budget**  
Truck Rental

# Vehicle Towing Overview

- **Car Carrier: pages 4-9**
- **Auto Transport Carrier: pages 10-15**
- **Tow Dolly: pages 16-21**
- **Weight & Size Limitations: pages 22-23**

## Trouble-Free Solutions for Transporting your Vehicle

Budget has three types of Vehicle Towing Systems. Two types are Car Carriers and the third is a Tow Dolly. All are for rental with our 16' and/or 24' moving trucks.

## Easy Hook-Up

By following the instructions in this guide, you can hook up the vehicle towing system yourself. Or, if you prefer, a Budget representative will hook it up for you. If you choose to do it yourself, be sure to perform each step in the instructions in the order shown. If you have Budget do the hookup for you, make sure you are familiar with the instructions in case you encounter a situation en route that requires detachment and reattachment and to help you unhook when you arrive at your destination. Keep this instruction guide handy throughout your trip.

Please note that although Budget representatives can assist you with hooking up the Car Carrier or Tow Dolly to the Budget truck, it is **YOUR SOLE RESPONSIBILITY** to properly load, secure and unload your vehicle onto the Car Carrier or Tow Dolly according to the specific instructions found in this brochure.

You are responsible for verifying all state laws for vehicle towing and width restrictions for any Vehicle Towing System.

### CAUTION

Rear-wheel drive vehicles, please read this brochure carefully.

## Perform a Safety Check

Whichever Vehicle Towing System you're using to tow your vehicle, check it carefully after it has been hooked up. To check the Vehicle Towing System after hookup, tow about 100 feet. Then stop and perform a safety check. Check the tire straps, bolts, chains, coupler hand wheel, ramps and other items to make sure they are in the right position and secure. In addition, check all tail lights and stop lights to make sure they are operating properly. Repeat the safety check after the first 5 miles and then every 50 miles thereafter.

### NOTE

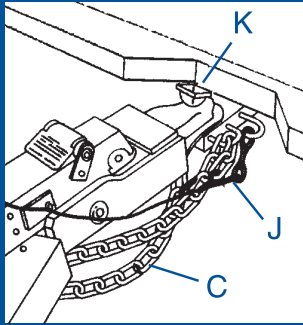
Optional Personal Accident/Cargo protection and Damage Waiver do not cover damage to the towed vehicle. Ask your Budget representative about optional Auto Tow Protection.



# Car Carrier Instructions

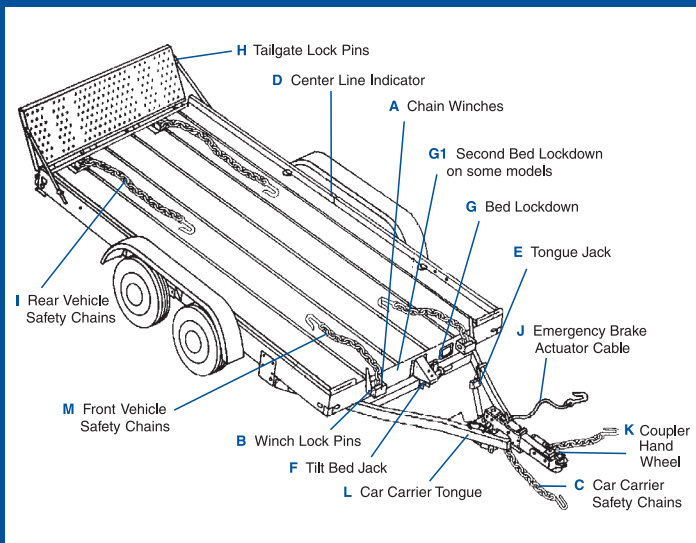
Budget's Car Carrier towing system is a great way to transport your vehicle, and is especially useful for transporting antique cars or specialty vehicles. No other Budget towing system provides better protection for the towed vehicle. Read these instructions and those in the towed vehicle's owners manual completely before proceeding.

**1.** Fully engage parking brake on truck. Car Carrier must be completely and properly hooked up to truck and on a level surface before loading towed vehicle. Secure hitch to the 2", 6000 lb. rated hitch ball on truck. Both hitch and hitch ball must be securely attached to truck and in good condition. Tighten coupler hand wheel (**K**).

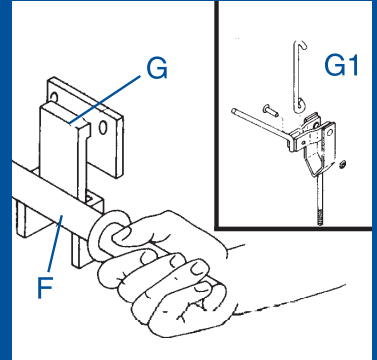


Crisscross safety chains (**C**) under tongue (**L**) and secure to safety chain mounting loops on truck. Allow slack in chain for turning.

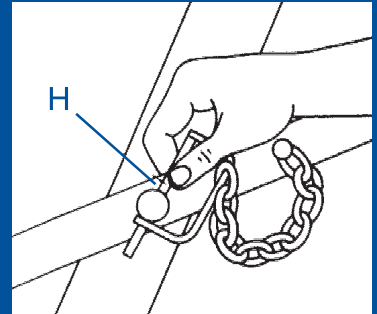
Secure emergency brake actuator cable (**J**) to safety chain mounting loop on truck. Hook up light wires to quick connector box on truck, and check for proper operation. Raise tongue jack (**E**) fully before moving Car Carrier.



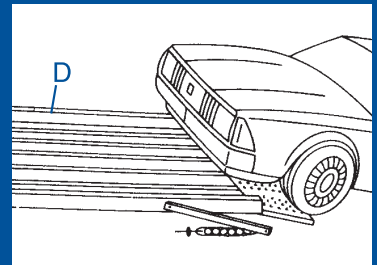
**2.** Car Carrier is equipped with one of two types of bed lockdown systems: either one (**G1**) on each side of tilt bed jack (**F**), or one (**G**) only on driver's side of tilt bed jack. Release bed lockdown(s) (**G**) and using tilt bed jack (**F**), jack the front of Car Carrier up until back end of Car Carrier touches the ground, and jack is fully extended.



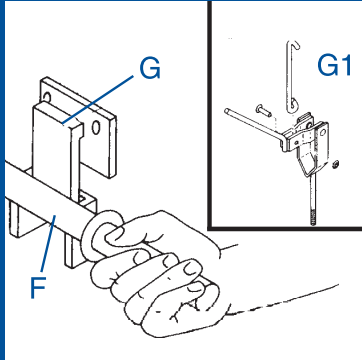
**3.** Pull tailgate lock pins (**H**) on braces to unlock tailgate and slowly lower it to the ground.



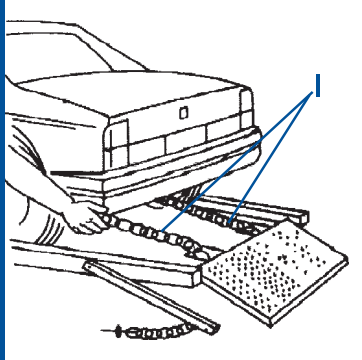
**4.** Slowly drive vehicle onto Car Carrier front forward, centering it on center line indicator (**D**). Do not back vehicle onto Car Carrier. Place towed vehicle in park or in gear, and set parking brake.



## Car Carrier Instructions (cont.)



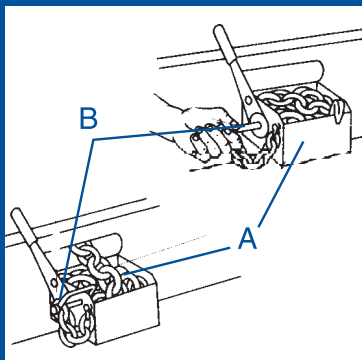
5. Jack (F) front of Car Carrier down until jack is fully retracted and Car Carrier bed rests on Car Carrier tongue. Ensure that weight of Car Carrier bed is not supported by jack. Lock bed lockdown(s) (G1). Single bed lockdown (G) will lock automatically. Visually check automatic lockdown (G).



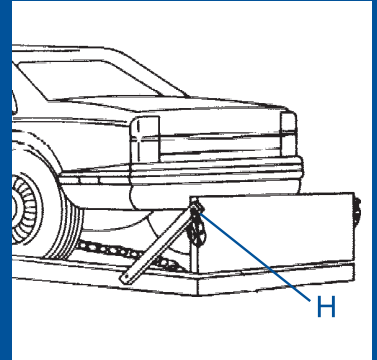
6. Before securing towed vehicle to Car Carrier, check to see that towed vehicle is in park or in gear, and parking brake is set. Tie back of towed vehicle down with rear vehicle safety chains (I) in floor boxes at rear of Car Carrier. Fasten chains securely to axle of towed vehicle. Secure chains snugly to eliminate slack.

**CAUTION: Chains must not attach or go over steering or brake parts of towed vehicle.**

7. Remove winch lock pins (B) from chain winches (A) at front of Car Carrier. Feed chain through opening in Car Carrier just above winch and fasten securely to front frame or axle of towed vehicle. Release parking brake and place towed vehicle in neutral. Ratchet winches until chains are tight. This will also tighten rear chains. Reinsert winch lock pins.



8. Place towed vehicle in park or in gear, and set parking brake. Raise tailgate to transport position and lock in place with lock pins (H).



9. Release parking brake and drive forward 100 feet. Stop and perform safety check. Check bolts, chains, coupler hand wheel, tailgate ramp and other items to ensure they are tight and in the correct position. In addition, check all tail lights and stop lights to make sure they are operating properly.

10. To unload: Do not unhook Car Carrier from truck until towed vehicle is completely unloaded from Car Carrier. Fully engage parking brake on truck. Reverse procedure in this order: step 7, step 6. Place towed vehicle in park or in gear, and set parking brake. Then proceed to steps 2, 3, 4 and 5.

11. To pull Car Carrier empty: Make sure tailgate ramp is in the up position and tailgate lock pins are secured. Towed vehicle (front and rear) safety chains should be secured and safety chains and emergency brake actuator cable should be properly hooked up to truck.



### SAFETY WARNING

Please follow all instructions; failure to do so may result in serious injury or death. Perform safety check after first 100 feet, after the first 5 miles of travel and then every 50 miles thereafter. Check bolts, chains, tailgate ramp, coupler hand wheel and other items to ensure they are tight and in the correct position. Also, check all tail lights and stop lights to make sure they are operating properly.

Car Carrier tires must be inflated to the recommended P.S.I.—see decal on Car Carrier for correct pressure.

# Car Carrier

## Do's & Don'ts

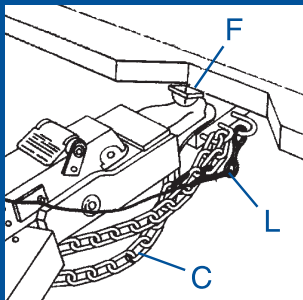
- Read towing instructions in towed vehicle owner's manual.
- Ensure truck parking brake is fully engaged before starting hookup, loading, unloading or unhooking Car Carrier.
- Don't load towed vehicle onto Car Carrier until Car Carrier is completely and properly hooked up to truck on a level surface.
- Always load towed vehicle facing forward.
- Connect tail and stop system to connector box at rear of truck. Tail lights and stop lights must be hooked up and operating properly at all times.
- Don't back up truck with Car Carrier attached. Select parking places where you can pull ahead when leaving.
- Always adjust truck's right and left side mirrors so you can see behind the vehicle you are towing.
- Avoid sudden stops whenever possible. Use brakes with caution to prevent damage to your towed vehicle.
- Don't exceed 45 mph or any lower posted speed limit. Braking distance increases when using a Car Carrier. Use caution and always allow sufficient distance for braking.
- Never start turning the truck from a stop. Roll ahead before turning wheels.
- Pass other vehicles with extreme care. Use your rear view mirrors frequently. Allow enough room for passing. Don't cut back sharply after passing another vehicle. Instead, signal and ease back into your lane with caution.
- If you feel that the Car Carrier is not trailing smoothly, immediately stop and find out why. Call your Budget representative if there is any problem.
- Don't transport passengers or cargo in vehicle being towed.
- Don't unhook Car Carrier from towing vehicle until towed vehicle is completely unloaded from Car Carrier.
- Descend hills in lower gear. Avoid sudden braking or lane changes when descending a hill.
- Drive truck and Car Carrier in outside traffic lane. This allows traffic to be on just one side of the truck.



# Auto Transport Carrier Instructions

Read these instructions and those in the towed vehicle's owners manual completely before proceeding.

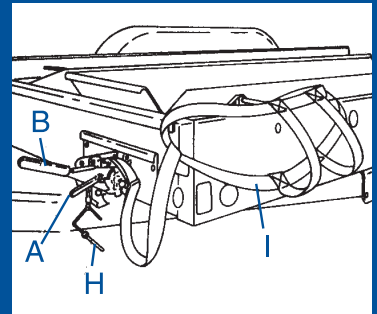
**1.** Fully engage parking brake on truck. Auto Transport Carrier must be completely and properly hooked up to truck and on a level surface before loading towed vehicle. Secure hitch to the 2", 6000 lb. rated hitch ball on truck. Ensure that hitch and



hitch ball are in good condition and not rusted, loose or stripped. Both hitch and hitch ball must be securely attached to truck. Tighten coupler hand wheel (F). Crisscross safety chains (C) under tongue (G) and secure to safety chain mounting loops on truck. Allow slack in chain for turning. Secure emergency brake actuator cable (L) to safety

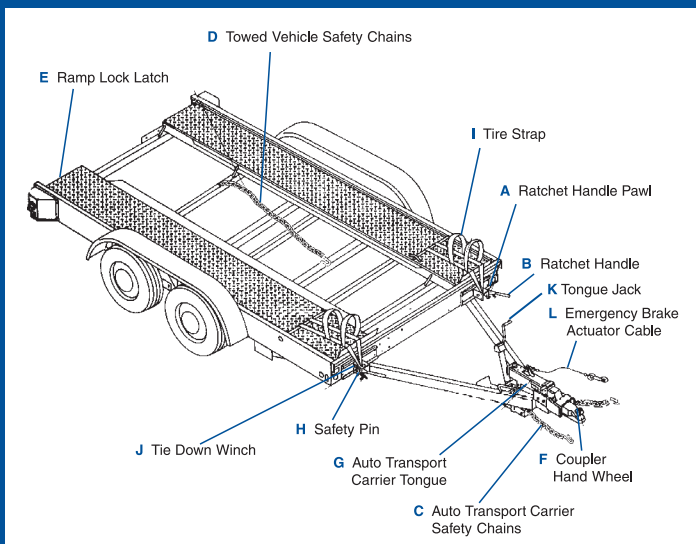
chain mounting loop on truck. Connect wire harness to connector box on truck and check for proper operation. Raise tongue jack (K) fully before moving Carrier.

**2.** Remove safety pin (H) and unroll straps by grasping ratchet handle pawl (A) and ratchet handle (B) at the same time and push down. Unroll strap (I) and lay along fender side of platform. Release enough slack in strap and lay it to the outside of Carrier so

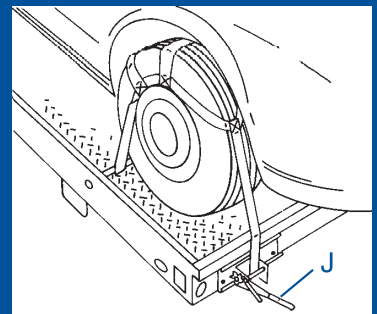


it is out of the way when loading towed vehicle. Do the same on the other side. Important: Vehicles to be towed must not be wider than 79" and the inside tire width not less than 42". Width should be measured from outside of tire to outside of tire on front axle. Read weight and size limitations.

**3.** Unlatch each ramp and slide all the way out until it stops. With someone safely guiding you, slowly drive towed vehicle onto Auto Transport Carrier front forward. (Any vehicle mounted on Auto Transport Carrier must be mounted with front of the vehicle facing forward.) Drive towed vehicle onto Auto Transport Carrier until tires touch wheel stops at front of each side of Auto Transport Carrier. Place towed vehicle in park or in gear, and set parking brake. Lock steering wheel on towed vehicle with front tires in a straight position.

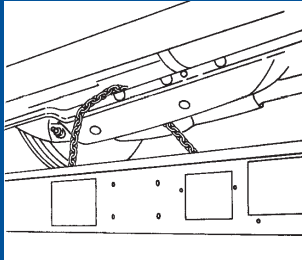


**4.** Center tie-down winches (J) in front of tires on towed vehicle and place straps over tires. Place one tie-down strap over each front tire on towed vehicle and secure. Tighten each tie-down strap securely with ratchet handle (B) on winch. Insert safety pin (H) in each winch and attach clip. Ratchet handle should always be in the down position when towing Auto Transport Carrier loaded or unloaded.



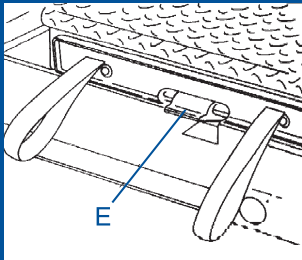
# Auto Transport Carrier

## Instructions (cont.)



5. Hook towed vehicle safety chains (D) to frame of towed vehicle directly above area where chain is mounted on Auto Transport Carrier. Leave some slack in the chain to allow suspension movement.

**CAUTION: Chains must not attach or go over steering or brake parts of towed vehicle.**



6. Grasp ramp handle straps and slide ramps all the way into the storage position until ramp lock latch (E) snaps up and locks ramp from sliding out.

7. Release parking brake and drive forward 100 feet. Stop and perform safety check. Check tire straps, bolts, chains, coupler hand wheel, tailgate ramp and other items to ensure they are tight and in the correct position. In addition, check all tail lights and stop lights to make sure they are operating properly.

8. To unload: Do not unhook Auto Transport Carrier from truck until the towed vehicle is completely unloaded from Carrier. Fully engage parking brake on truck. Perform step 6, then proceed to steps 2, 3, 4 and 5.

9. To pull Auto Transport Carrier empty: Make sure ramps are in the stored position, wiring is hooked up and lights are operating properly. Towed vehicle (front and rear) safety chains should be secured and safety chains and emergency brake actuator cable should be properly hooked up to truck.



### SAFETY WARNING

Please follow all instructions; failure to do so may result in serious injury or death. Perform safety check after first 100 feet, after the first 5 miles of travel and then every 50 miles thereafter. Check bolts, chains, tailgate ramp, coupler hand wheel and other items to ensure they are tight and in the correct position. Also, check all tail lights and stop lights to make sure they are operating properly.

Car Carrier tires must be inflated to the recommended P.S.I.—see decal on Car Carrier for correct pressure.

# Auto Transport Carrier

## Do's & Don'ts

- Read towing instructions in towed vehicle owner's manual.
- Ensure truck parking brake is fully engaged before starting hookup, loading, unloading or unhooking Auto Transport Carrier.
- Don't load towed vehicle onto Auto Transport Carrier until Auto Transport Carrier is completely and properly hooked up to truck on a level surface.
- Always load towed vehicle facing forward.
- Connect tail and stop system to connector box at rear of truck. Tail lights and stop lights must be hooked up and operating properly at all times.
- Don't back up truck with Auto Transport Carrier attached. Select parking places where you can pull ahead when leaving.
- Always adjust truck's right and left side mirrors so you can see behind the vehicle you are towing.
- Avoid sudden stops whenever possible. Use brakes with caution to prevent damage to your towed vehicle.
- Don't exceed 45 mph or any lower posted speed limit. Braking distance increases when using a Auto Transport Carrier. Use caution and always allow sufficient distance for braking.
- Drive truck and Auto Transport Carrier in outside traffic lane. This allows traffic to be on just one side of truck.
- If you feel that the Auto Transport Carrier is not trailing smoothly, immediately stop and find out why. Call your Budget representative if there is any problem.
- Don't transport passengers or cargo in vehicle being towed.
- Don't unhook Auto Transport Carrier from towing vehicle until towed vehicle is completely unloaded from Auto Transport Carrier.
- Descend hills in lower gear. Avoid sudden braking or lane changes when descending a hill.





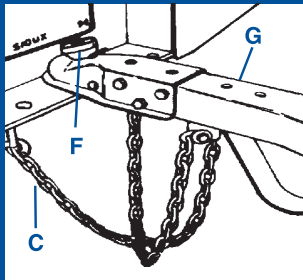
# Tow Dolly Instructions

A Budget Tow Dolly provides fast and easy towing. And it's a "must" for front-wheel drive vehicles. Read these instructions and those in the towed vehicle's owners manual completely before proceeding.

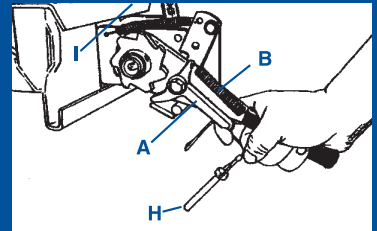
**1.** Make sure truck's parking brake is fully engaged. Ensure towing vehicle and Tow Dolly are straight, on level ground, and properly hooked up before loading towed vehicle. Loosen coupler lock, place coupler of Tow Dolly over 2" hitch ball on truck. Ensure that hitch and hitch ball are in good

condition and not rusted, loose or stripped. Both hitch and hitch ball must be securely attached to truck. Ensure coupler is fully seated on ball, then completely tighten coupler hand wheel (F). Pull up on Tow Dolly tongue to ensure it is properly secured. Connect Tow Dolly wire harness to connector on truck and check

lights for proper operation. Crisscross safety chains under tongue (G) and attach to mounting loops on truck. Allow some slack in chains for movement during turning (C).

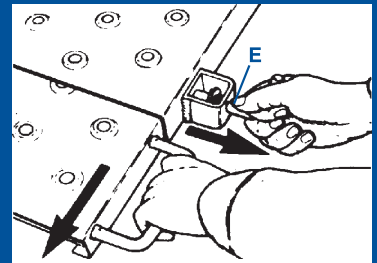


**2.** Remove winch safety lock pin (H) from strap winches on front of Tow Dolly. Release winch: Grasp handle (B) squeeze handle pawl (A) push down and pull all excess strap (I) from winch. Lay tire strap to outside of Tow Dolly so it is out of the way when loading the towed vehicle. Do the same on the other side.



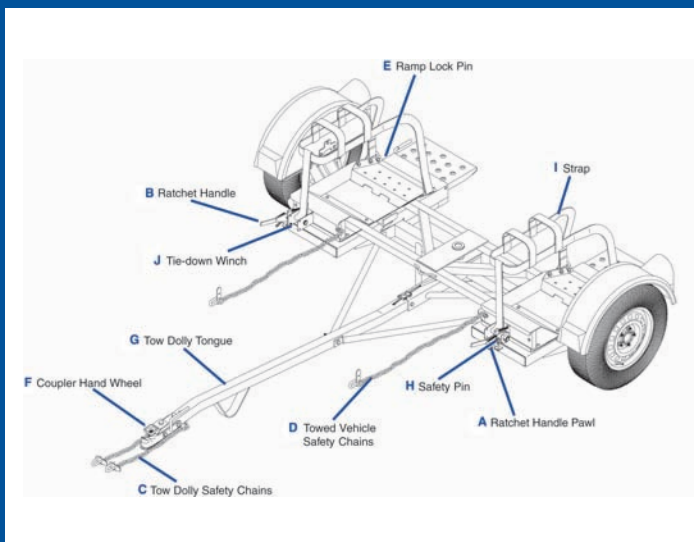
**IMPORTANT: Vehicles to be towed must not be wider than 70" (on Standard Tow Dolly) or 76" (on Super Tow Dolly). Width should be measured from outside of tire to outside of tire on front axle. (Super Tow Dolly is identified by sticker on Tow Dolly.) Read weight and size limitations.**

**3.** On each side, pull out on ramp lock pin (E), extend and lower ramp until the pin pops back in. This prevents ramps from sliding back in while loading towed vehicle.



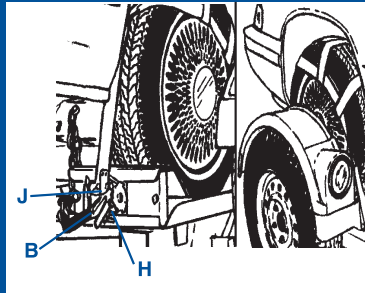
**4.** Before loading (and unloading) towed vehicle, make certain that platforms on Tow Dolly and towed vehicle are in straight alignment. Tow Dolly must be completely and properly hooked up to the truck and on a level surface before loading towed vehicle on to it.

**5.** With someone safely guiding you, center vehicle to Tow Dolly. Slowly drive vehicle forward until tires touch wheel stops at front of platform. **DO NOT BACK VEHICLE ONTO TOW DOLLY.** Place towed vehicle in park (low gear if standard transmission), engage parking brake, shut off engine, remove ignition key, lock steering wheel of towed vehicle with tires in a straight forward position. Ensure that towed vehicle is centered on Tow Dolly platform and tires fit in wheel pans without hanging over sides.

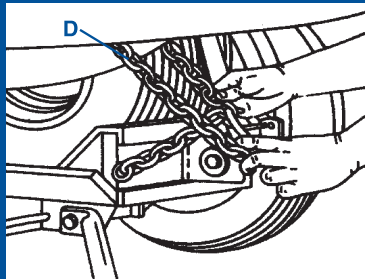


# Tow Dolly Instructions (cont.)

6. Ensure that ramps are locked in transport position by reversing Figure 3. Place tire straps over tires centering straps and tie down winches (J) to tires, avoiding contact with suspension components. While tightening straps, pull cross straps forward to ensure even tightening. Tighten straps until each tire starts to flatten against tire stop. After strap is tight and with



ratchet handle (B) in down (horizontal) position, insert lock pin (H) through hole in ratchet pawl arm and ratchet frame, then attach retainer clip.

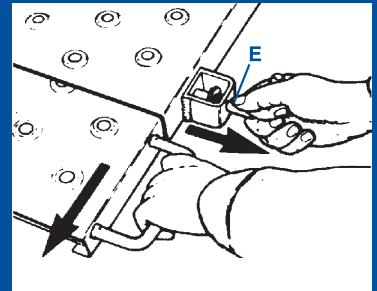


7. Hook safety chains (D) to frame of towed vehicle directly above area where chains are mounted on Tow Dolly. Leave enough slack in chains for suspension movement.

**CAUTION: Chains must not attach to or go over steering or brake parts.**

8. Pull out on the ramp lock pin (E see next page) and push the ramps all the way into the storage position until the pin pops back in.

9. If towed vehicle is rear-wheel or four-wheel drive, disconnect drive shaft. (Simply placing transmission in neutral is not sufficient to prevent damage to transmission.) You must disconnect drive shaft at rear axle and remove it. With the drive shaft removed it will be necessary to cap the transmission tail shaft to prevent transmission fluid loss. Rear engine/ transaxle vehicles cannot be towed with Tow Dolly. (All vehicles loaded on Tow Dolly must be loaded with front of vehicle facing forward.) Consult your vehicle owners manual to help determine if and how your vehicle is suitable to be towed.



10. **RELEASE PARKING BRAKE ON TOWED VEHICLE.** Ensure that steering wheel is locked in straight forward position. **If towed vehicle does not have a locking steering column, steering wheel must be securely tied.** Remove ignition keys and lock doors of towed vehicle.

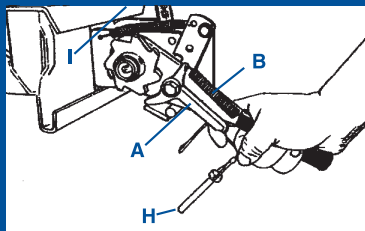
Release parking brake on towing vehicle and drive forward 100 feet. Stop and perform safety check. Check hitch, hitch ball, ball coupler, safety chains, tire straps, bolts and other items to ensure they are tight and in correct position. Check all lights to make sure they are operating properly. Repeat safety check after first 5 miles and every 50 miles thereafter. Do not exceed 45 mph.

**NOTE: Do not unhook Tow Dolly from towing vehicle until towed vehicle is completely unloaded from Tow Dolly.**

11. To unload towed vehicle:

- Ensure towing vehicle and Tow Dolly are straight, on level ground, and properly hooked up before unloading towed vehicle. **Do not unhook Tow Dolly from truck.**
- Fully engage parking brake of truck and towed vehicles.
- If removed, reinstall drive shaft of towed vehicle.
- Straps may be "quick released" by removing lock

## Tow Dolly Instructions (cont.)



pin (H), grasping ratchet pawl (A) and ratchet handle (B) simultaneously and pushing down sharply. This process will permit easy removal of strap from winch.

- Remove tire straps and safety chains from towed vehicle. Also release and extend ramps.
- Release parking brake of towed vehicle and slowly back towed vehicle off Tow Dolly.
- Store safety chains and straps in their storage position on each side.

**12.** To pull the Tow Dolly empty: Make sure the straps and ramps are secured in the storage position and the ramp lock pins are snapped into locked position. The towed vehicle safety chains should be secured and the Tow Dolly safety chains should be properly hooked up to the truck, wiring connected and lights working properly. The ratchet handle should always be left in the down position when towing Tow Dolly loaded or unloaded.

*Avoid situations that may require backing up the Tow Dolly. If this situation occurs, unload vehicle, then unhook Tow Dolly and move separately.*



### SAFETY WARNING

Please follow all instructions; failure to do so may result in serious injury or death. Perform safety check after first 100 feet, after the first 5 miles of travel and then every 50 miles thereafter. Check bolts, chains, tailgate ramp, coupler hand wheel and other items to ensure they are tight and in the correct position. Also, check all tail lights and stop lights to make sure they are operating properly.

Car Carrier tires must be inflated to the recommended P.S.I.—see decal on Car Carrier for correct pressure.

## Tow Dolly Do's & Don'ts

- Read towing instructions in towed vehicle owner's manual.
- Ensure truck parking brake is fully engaged before starting hookup, loading, unloading or unhooking Tow Dolly.
- Don't load towed vehicle onto Tow Dolly until Tow Dolly is completely and properly hooked up to truck on a level surface.
- Always drive front wheels of towed vehicle onto Tow Dolly. Don't load backwards.
- Don't load towed vehicle that exceeds weight or size limits onto Tow Dolly.
- Always have someone safely guide you when driving towed vehicle onto Tow Dolly.
- Don't back up truck with Tow Dolly attached. Tow Dolly swivels both at coupler and at car platform. If you must back up, unload towed vehicle first, disconnect Tow Dolly and move vehicle and Tow Dolly separately. Play it safe...park where you can pull ahead when leaving.
- Don't exceed 45 mph or any lower posted speed limit. Braking distance increases when using Tow Dolly. Use caution and always allow sufficient braking distance.
- Avoid sharp turns or swerves.
- Descend hills in lower gear. Avoid sudden braking or lane changes when descending a hill.
- Don't unhook Tow Dolly from towing vehicle until towed vehicle is completely unloaded from Tow Dolly.
- Don't tow a rear-drive vehicle unless the drive shaft at the rear axle has been disconnected.

# Weight & Size Limitations

## Load Weight & Size Limitations

### ACC Carrier

- Carrier weight: 1,640 lbs. (empty)
- Maximum load weight: 4,280 lbs.
- Maximum carrier total weight: 5,980 lbs.
- Interior platform dimensions: Length: 16', Width: 6'

### TCC Carrier

- Carrier weight: 1,740 lbs. (empty)
- Maximum load weight: 4,240 lbs.
- Maximum carrier total weight: 5,980 lbs.
- Interior platform dimensions: Length: 16', Width: 6' 8"

**NOTE: TCC Car Carriers may be subject to width restrictions on some roads in some states.**

### SAT Carrier

- Carrier weight: 1,925 lbs. (empty)
- Maximum load weight: 4,055 lbs.
- Maximum carrier total weight: 5,980 lbs.
- Interior platform dimensions: Length: 12', Width: 6' 7" (max.): 3' 6" (min.)

**Standard Tow Dolly** (total weight of towed vehicle):

- Front-wheel drive vehicles: 3,300 lbs.
- AWD, 4WD, RWD vehicles: 3,600 lbs.
- Maximum car width: 70" outside of tire to outside of tire on the front axle.

### Super Tow Dolly

Identified by a sticker on Tow Dolly (total weight of towed vehicle):

- Front-wheel drive vehicles: 3,960 lbs.
- AWD, 4WD, RWD vehicles: 4,250 lbs.
- Maximum car width: 76" outside of tire to outside of tire on the front axle.

## Important Information

Most Budget trucks are designed and equipped to be used for towing the Budget Car Carrier. Each truck has a maximum towing capacity decal on the rear door. Check the towing capacity decal to be sure that the truck has the correct towing capacity for your needs, or ask your Budget representative for assistance.

Check the load capacity decal on the front of the Car Carrier to be sure it has the correct load capacity for your needs or ask your Budget representative for assistance.

Towed vehicles that exceed weight limits will overload the Tow Dolly and may cause serious injury and damage to both towed vehicle and dolly. Do not load a towed vehicle exceeding the width limit; it will obstruct the platform's swivel action when underway and could damage the towed vehicle's tires and the Tow Dolly.

### Backing Up

The Tow Dolly is not a trailer and cannot be backed up because it swivels both at the coupler and car platform. If you must back up, offload car first, disconnect the coupler, and move car and dolly separately. **Park where you can pull ahead when leaving.**

**NOTE: Customer assumes all risks inherent in the operation, use, or possession of the Car Carrier, Auto Transport, or Tow Dolly. Towing a vehicle is the customer's responsibility and it is the customer who must ensure that the weight and size limits of the Vehicle Towing System he/she rents are not going to be exceeded by the vehicle being towed. In addition to the other responsibilities of the customer under the Rental Agreement, any injury or damage that results from exceeding weight and size limitations is the sole responsibility of the customer.**

## Is your vehicle protected?

Optional Personal Accident/Cargo protection and Damage Waiver do not cover damage to the towed vehicle.

Budget Truck Rental offers Auto Tow Protection (ATP) which protects your personal automobile while it's being towed.

Auto Tow Protection (ATP) is insurance that provides renters with coverage for damage to their personal automobile while it is being towed by the rental truck using a Car Carrier or Tow Dolly also rented from Budget.

ATP provides coverage for loss of or damage to the renter's personal automobile on an actual cash value basis up to \$15,000. There is a \$250 deductible per loss.

Ask your Budget representative for more information on optional Auto Tow protection.



**Budget**  
Truck Rental

1-800-GO-BUDGET  
budgettruck.com